



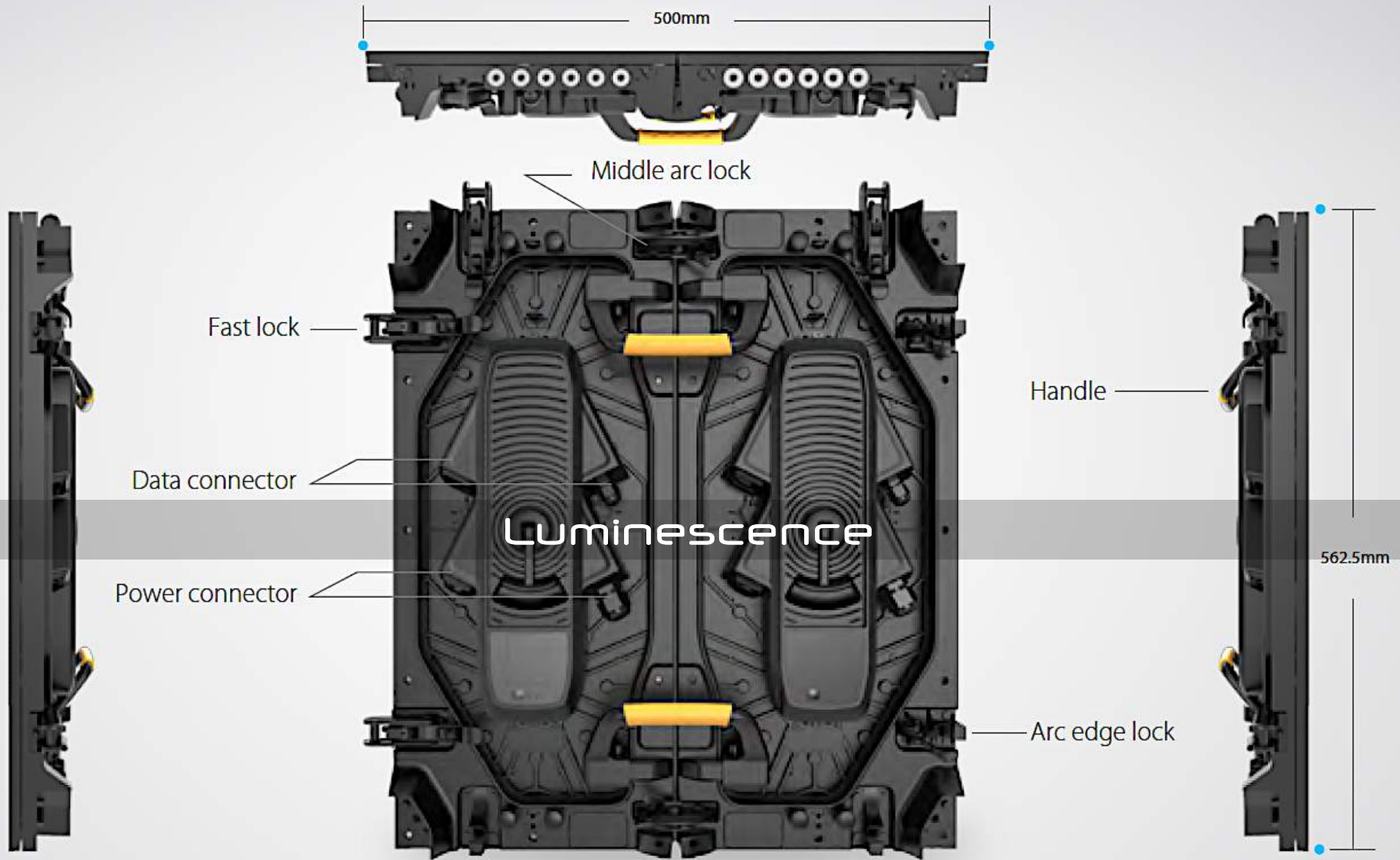
Luminescence

Luminescence  
Led design technologies

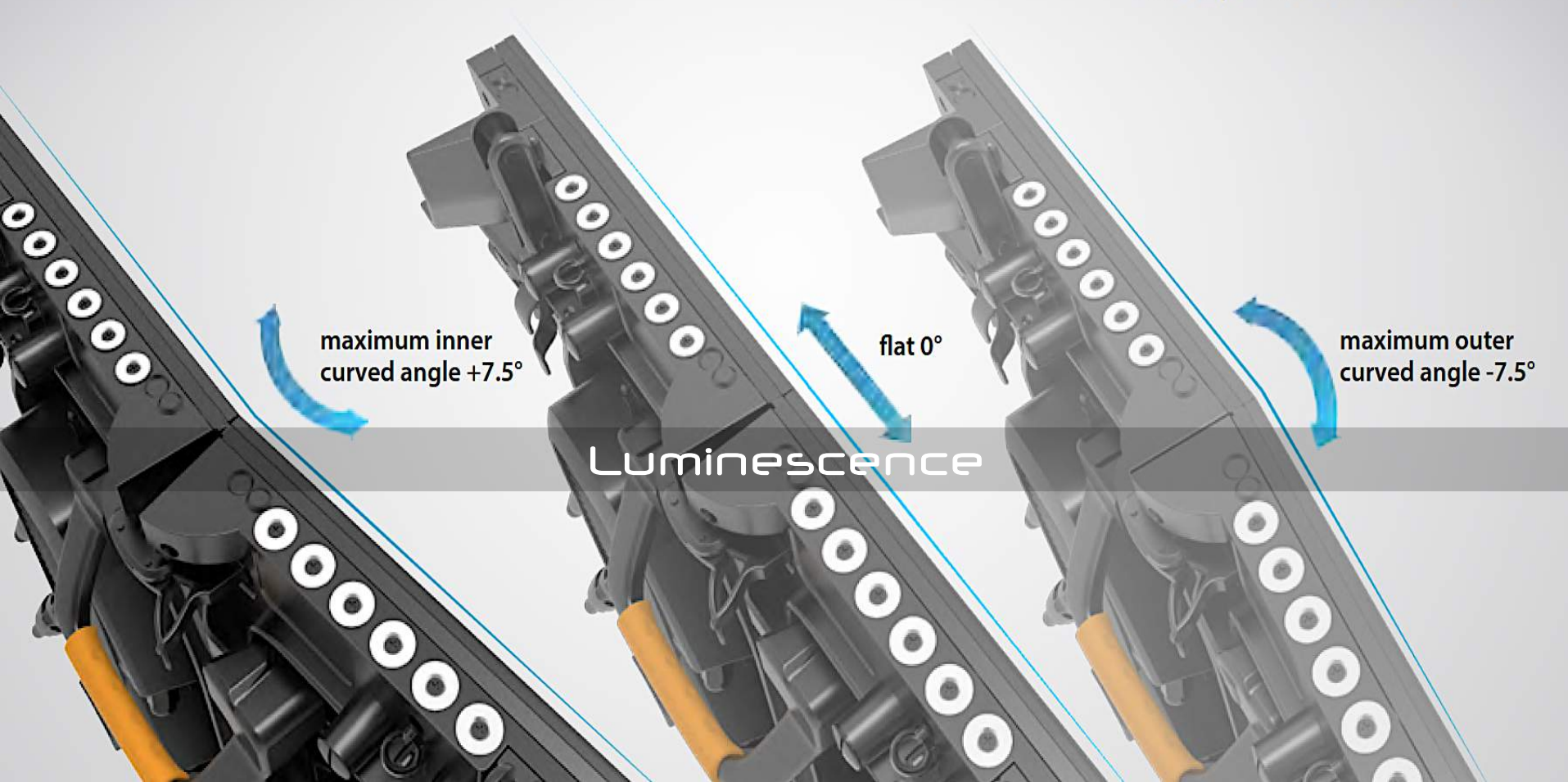
CURVE 2.8 mm

# Luminescence

Led design technologies



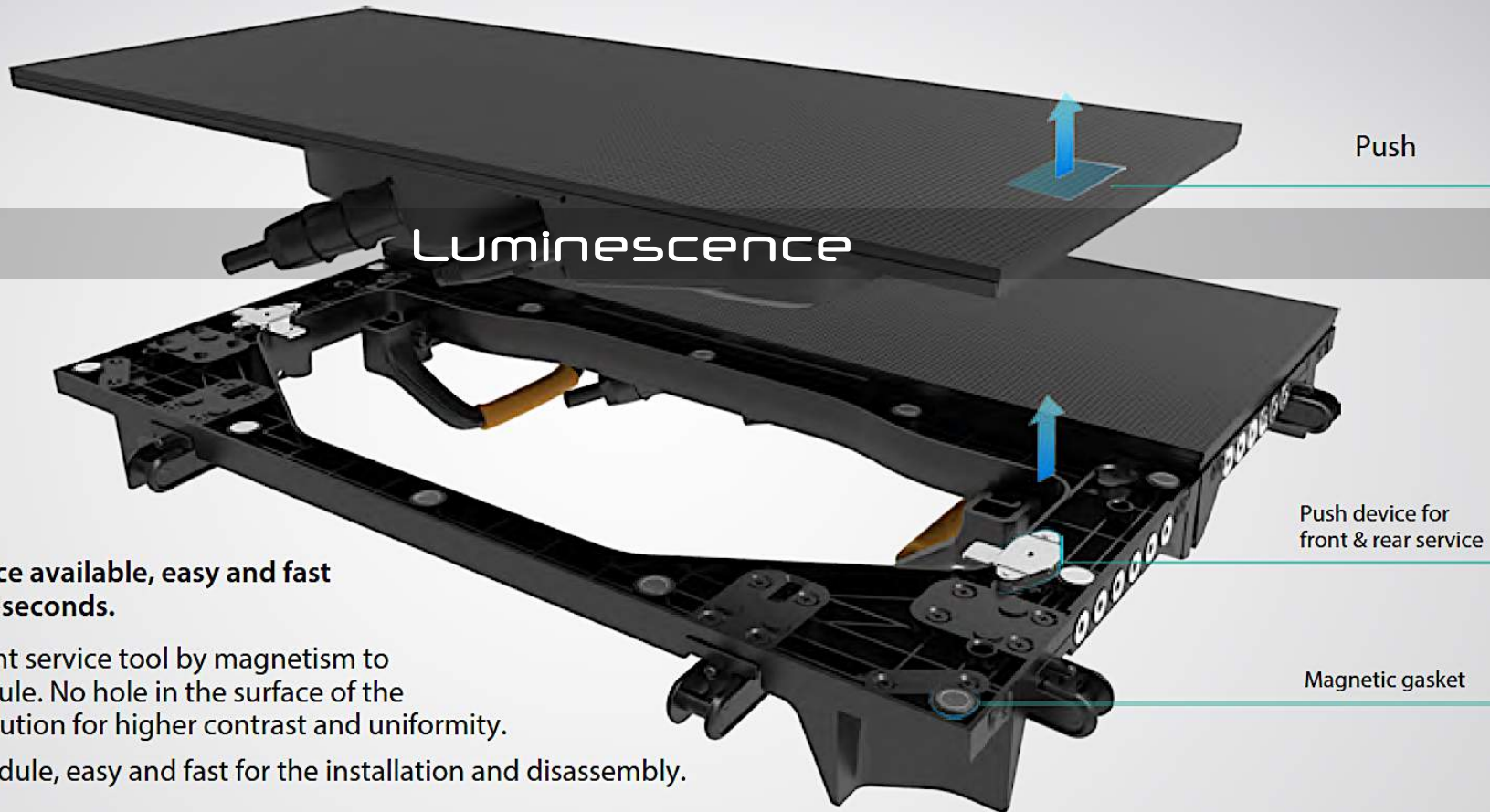
**Module level** curved angle range  $\pm 7.5^\circ$ ,  
No limitation for DIY shape, no worries  
for white/dark line. Minimum Radius  
1.9M, 24pcs cabinet can be a round.





## Curved scale lock

**Cabinet level** curved angle range  $\pm 7.5^\circ$ ,  
No limitation for DIY shape, no worries  
for white/dark line. Minimum Radius  
1.9M, 24pcs cabinet can be a round.



**Front & rear service available, easy and fast maintenance in 3 seconds.**

Special design front service tool by magnetism to push-out the module. No hole in the surface of the module, better solution for higher contrast and uniformity.

Magnetic type module, easy and fast for the installation and disassembly.

“ Modular Design ”



Module

Driving board / Receiving card



Luminescence

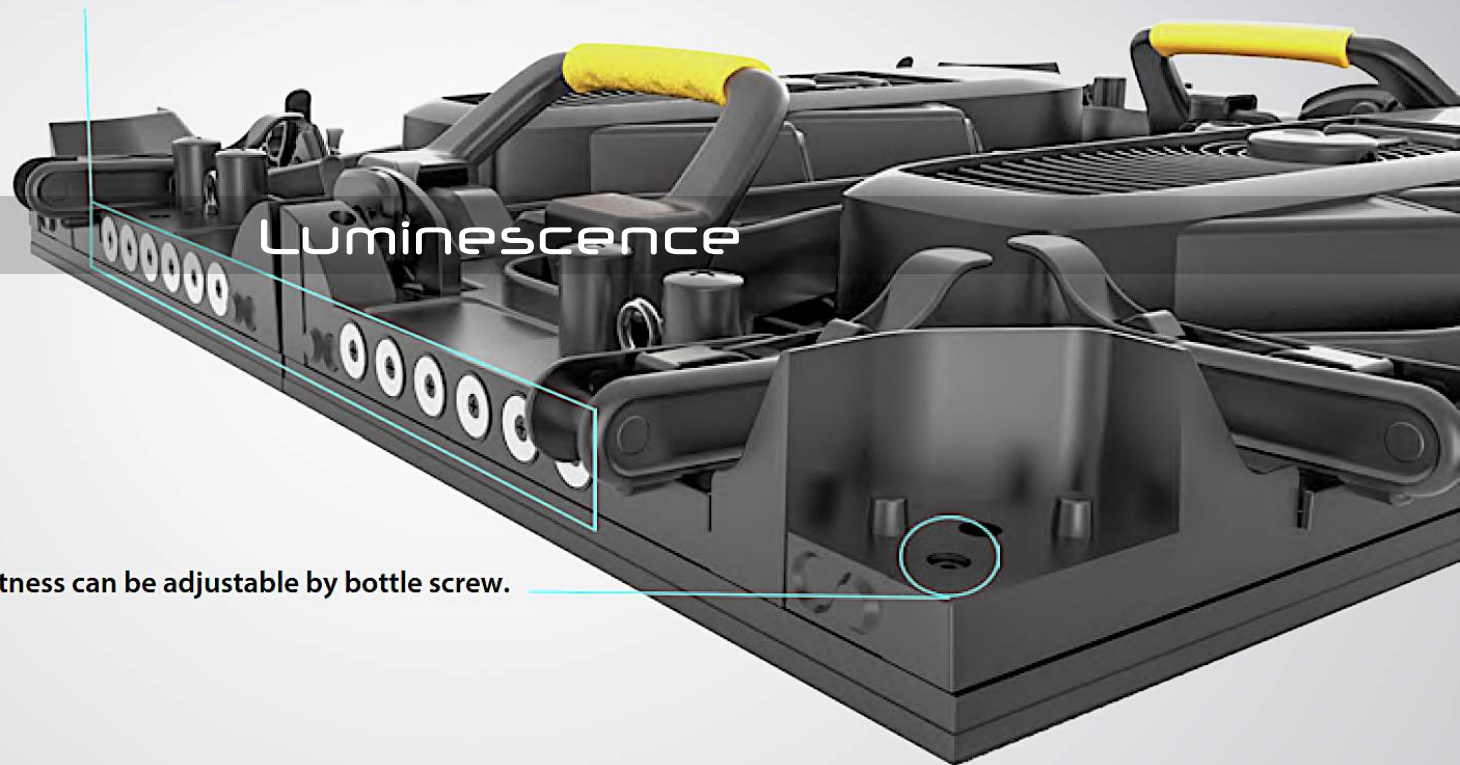


PSU / Connector

Magnesium alloy frame



Magnetic screw placed in the top and bottom of the cabinet, smart subsidiary design to enable the installation by one people.



Cabinet flatness can be adjustable by bottle screw.

Luminescence



**Space between the  
module to the ground.**

Bottom protection design to  
make sure the module will not  
directly touch the ground.



Thread design

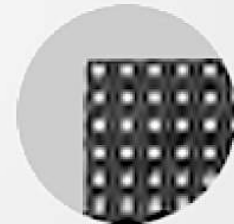


Luminescence



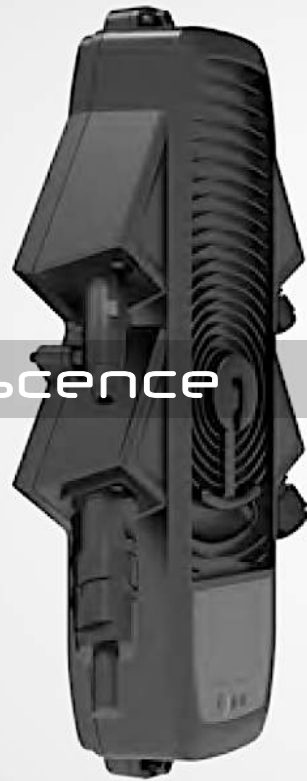
1. Module unit can work independently, DIY shape available by the customized frame.
2. Recycling Frame by different pixel pitch and module from rental to fixed type installation.

**Pioneering Patent PCB corner** replaceable design, easy maintenance, and much longer life span than traditional module.



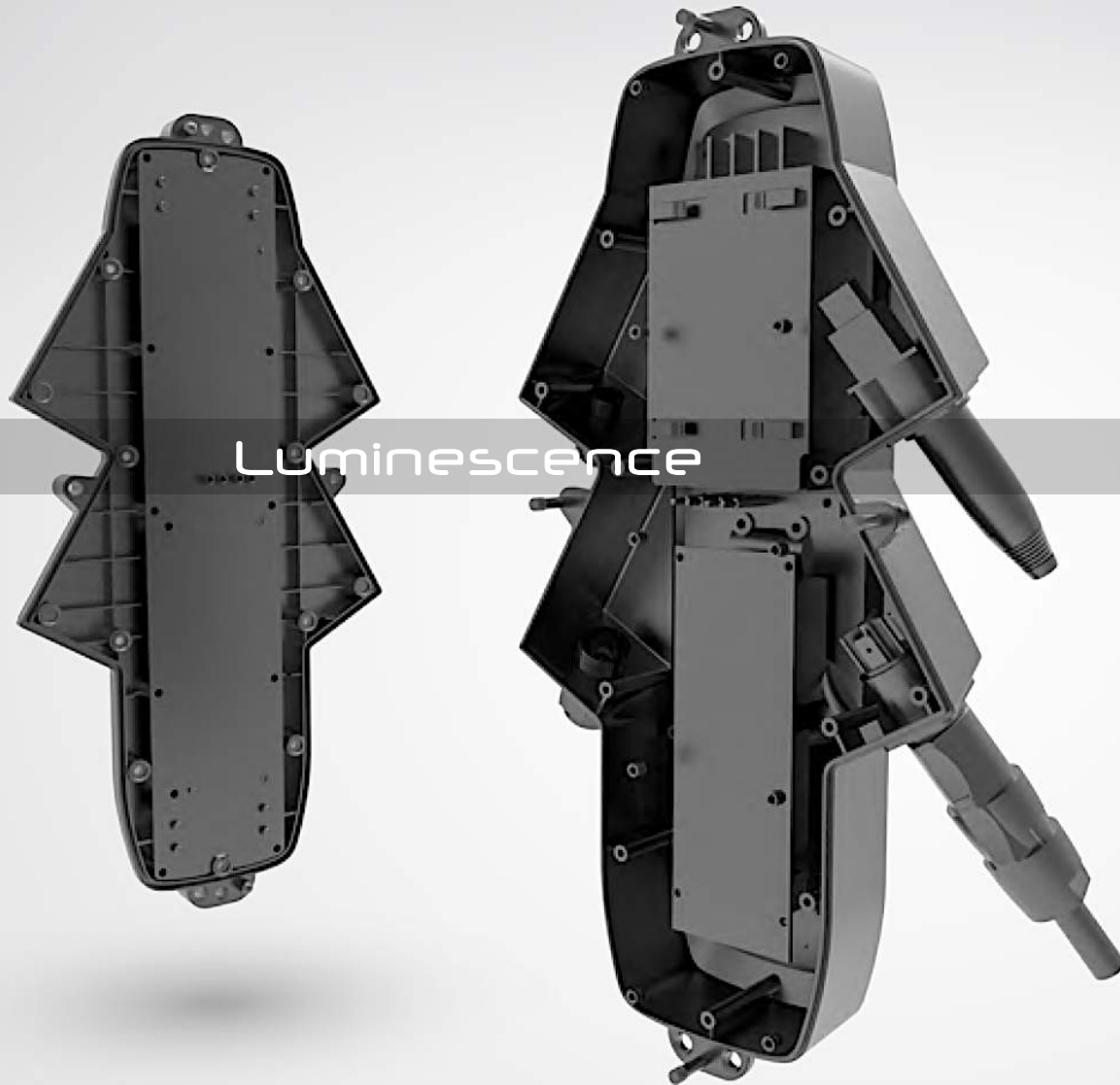


Luminescence



Wireless connection between control box and module, stable and easy.





Luminescence

Control box inside is by two parts: Power and connector; Driving board and receiving cards. They are also wireless connect.

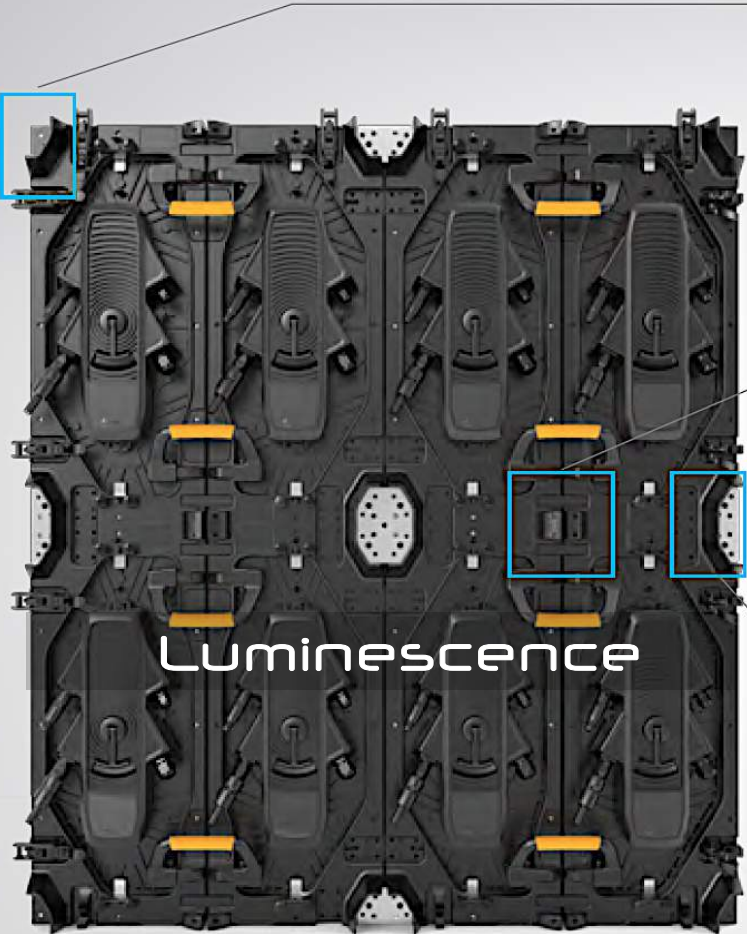
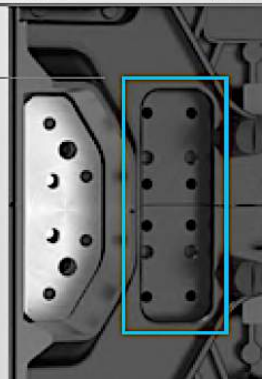
# Luminescence

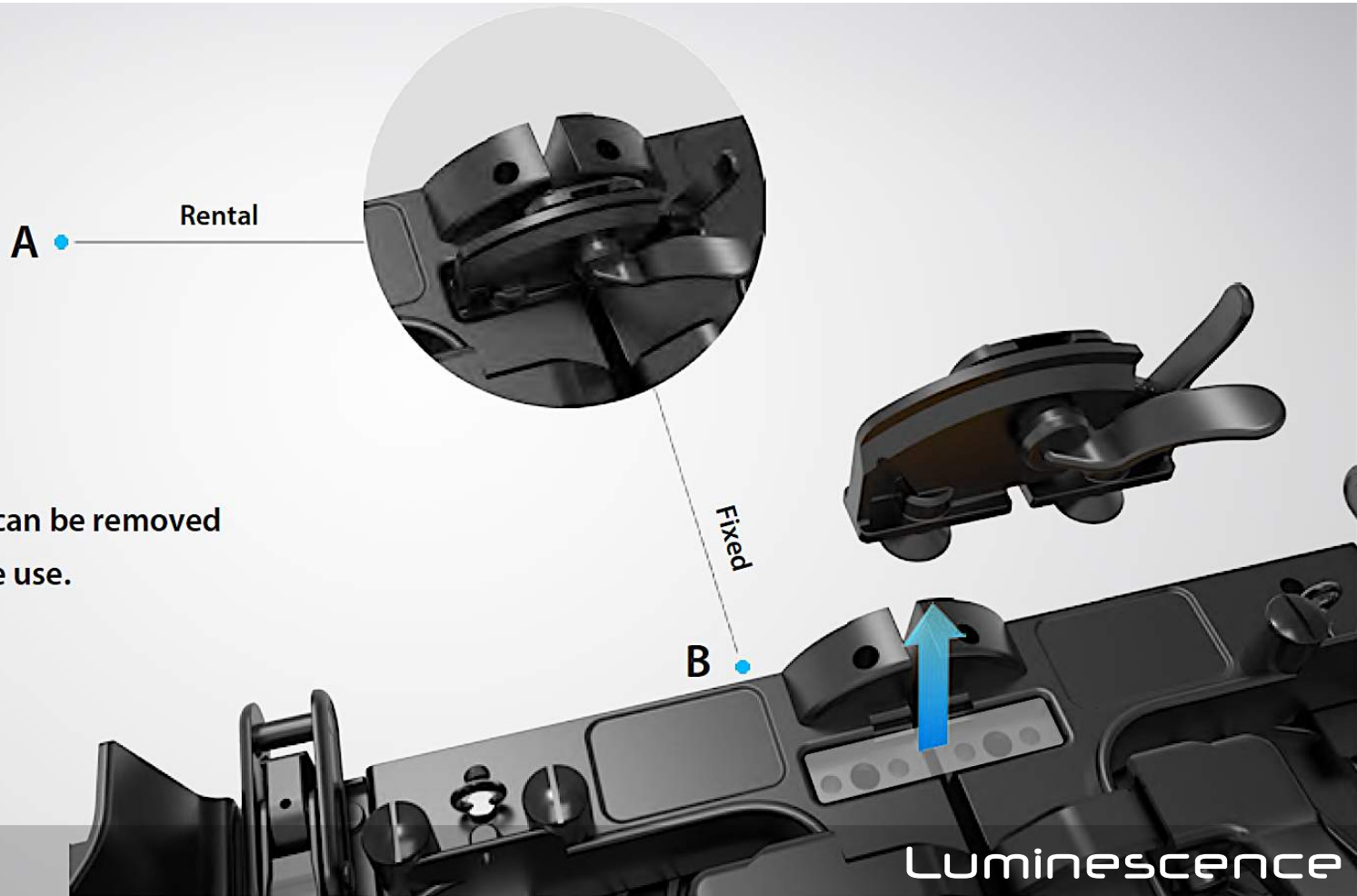
Led design technologies

There are position for connection plate in each edge of cabinet, special for fixed type use. Side lock can be removed when it is for fixed or vehicle-mounted, multipurpose and economic solution.

Delivery unit can be W1-H2 pcs or W2-H2pcs cabinet, to save the cost of curved scale lock/ side lock, carrying handle, higher the work efficient, when the product was mainly used for big flat screen.

Side lock can be removed while connection plate needed.





Curved scale lock also can be removed when it is for fixed type use.

Support  $\pm 7.5^\circ$  inner&outer curved connection

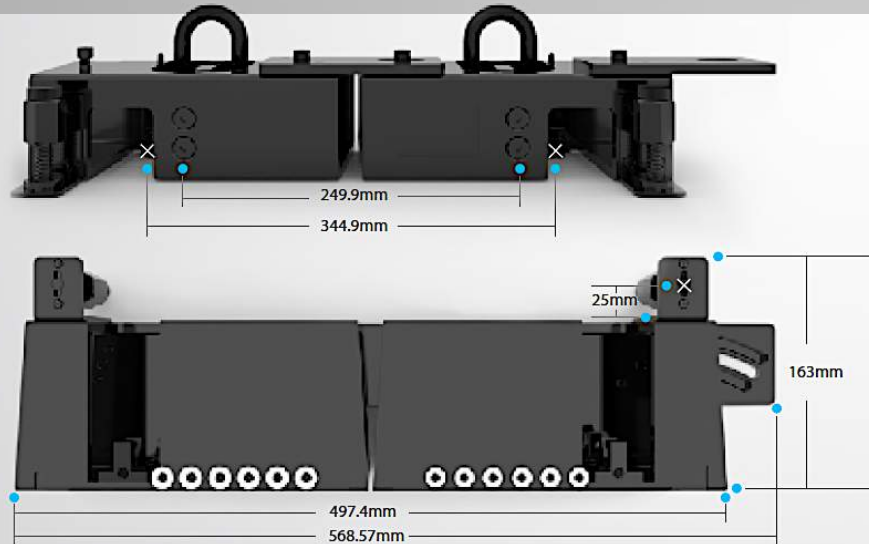


Hanging use



## Luminescence

Standard Accessory: Installation Curved beam  
1for 1pc cabinet — for Hanging & Seating type  
installation

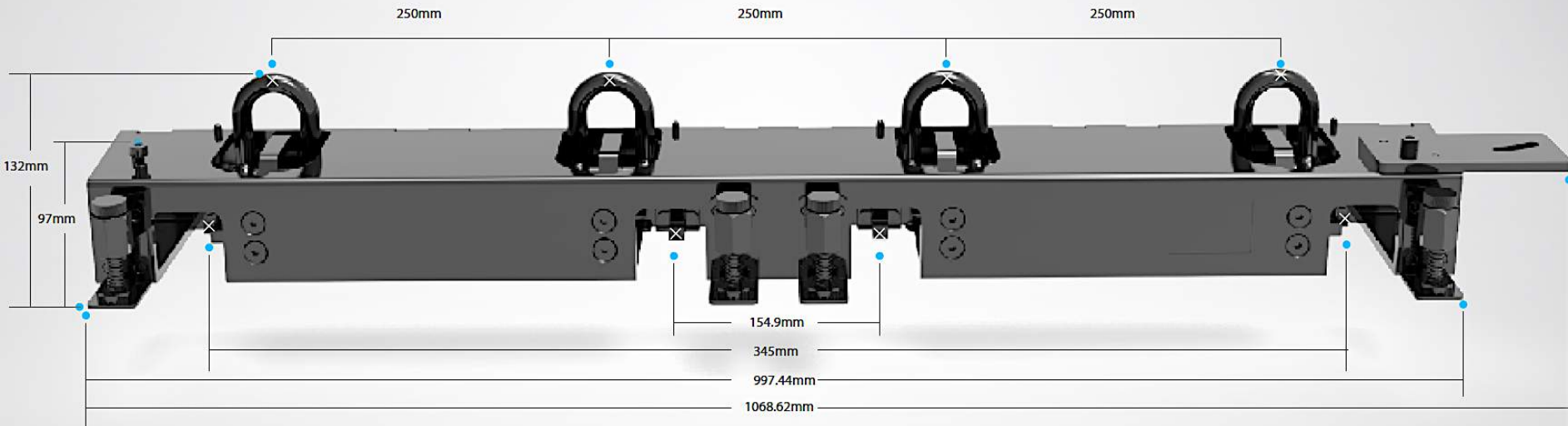


Seating use



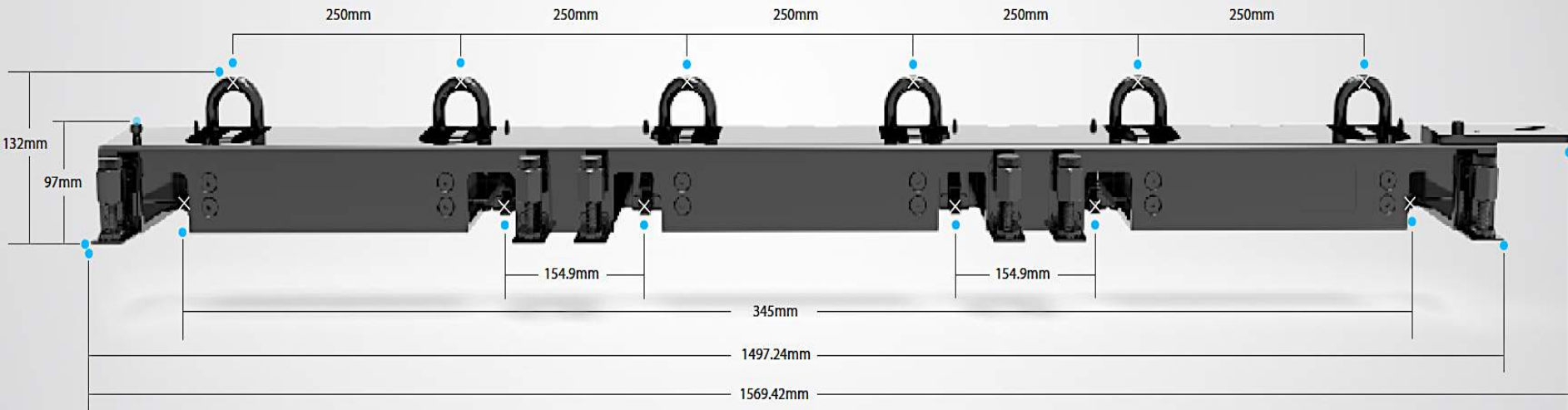
Standard Accessory: Installation beam 1 for 2 pcs cabinet, flat screen only, Each rigging point Max support 1000kg– below 10 lines by 2 points, over 10 lines by 4 points.  
Each rigging point Max support 1000kg.

## Luminescence

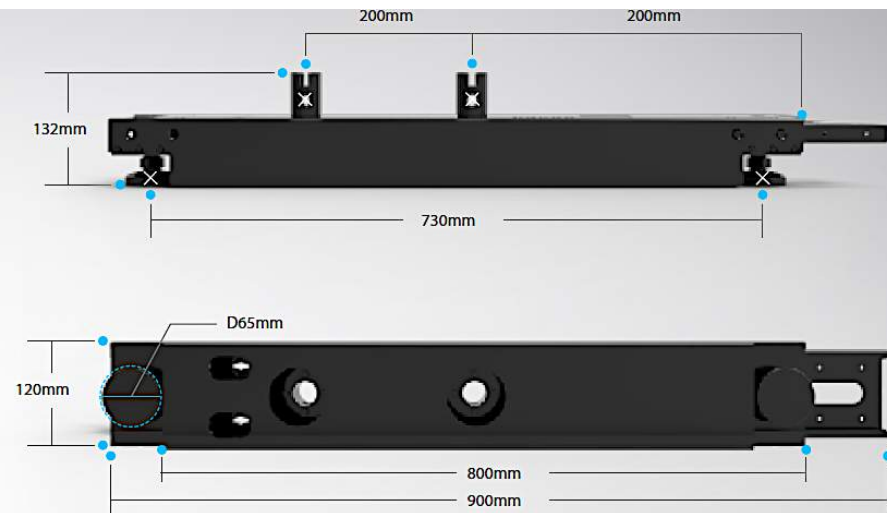


Standard Accessory: Installation beam 1 for 3 pcs cabinet, flat screen only,. Each rigging point Max support 1000kg– below 7 lines by 2 points, between 8 to 13 lines by 4 points, over 14 lines by 6 points. Each rigging point Max support 1000kg.

## Luminescence







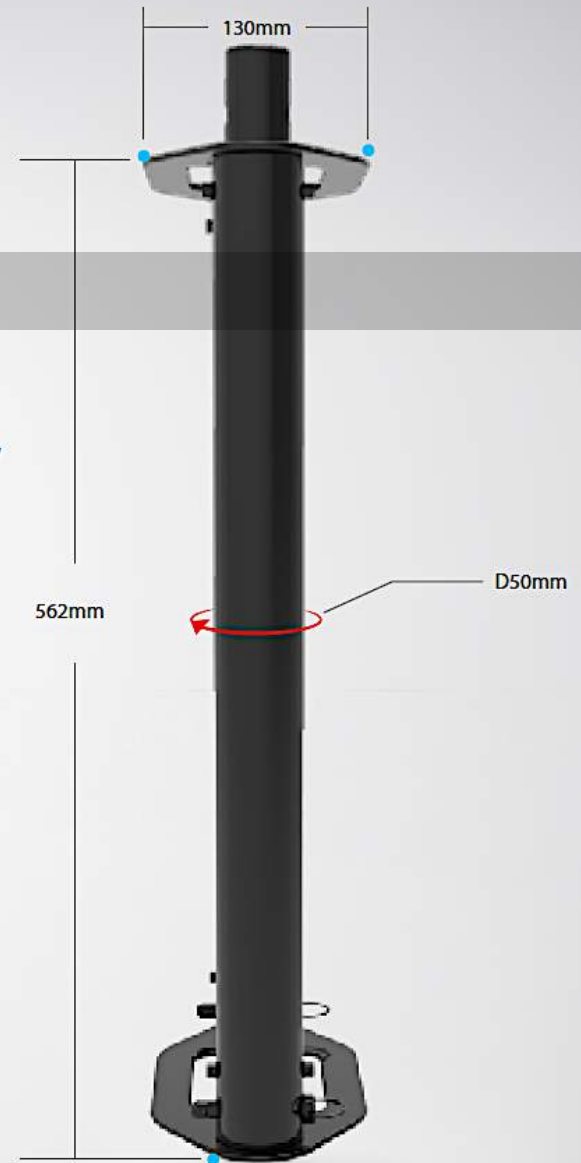
Luminescence

**Standard Accessory: Ground beam,  
hanging beam, support frame**

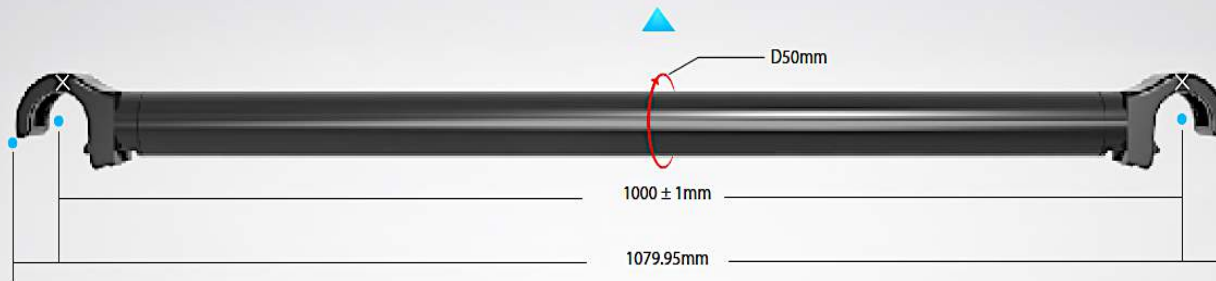


## Luminescence

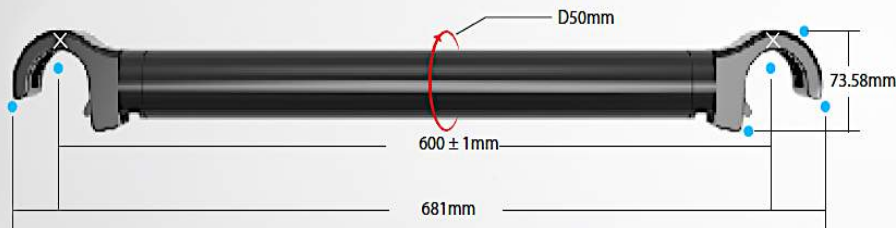
Standard Accessory: support frame, to support and fix screen, also the maintenance channel.



Standard Accessory: cross-tie, support the frame connection.

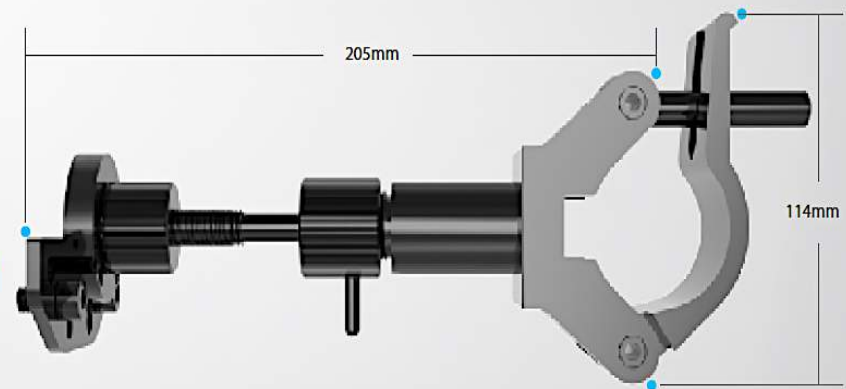


# Luminescence



▶ Standard Accessory: longitudinal tie, support the frame connection.

Standard Accessory: scratching bar, connect the screen to support frame. ◀

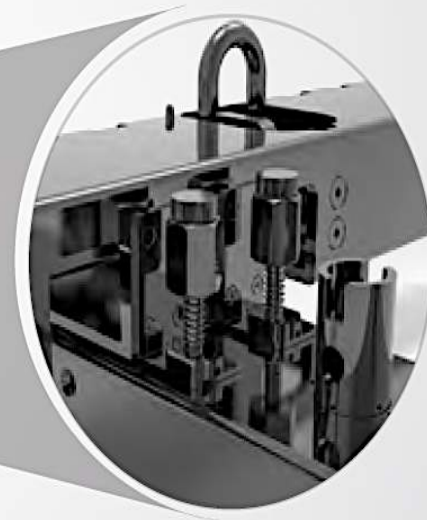




**Installation Step one:** Place the ground beam on the ground by space 500mm.

Adjust the level by screw on the ground beam

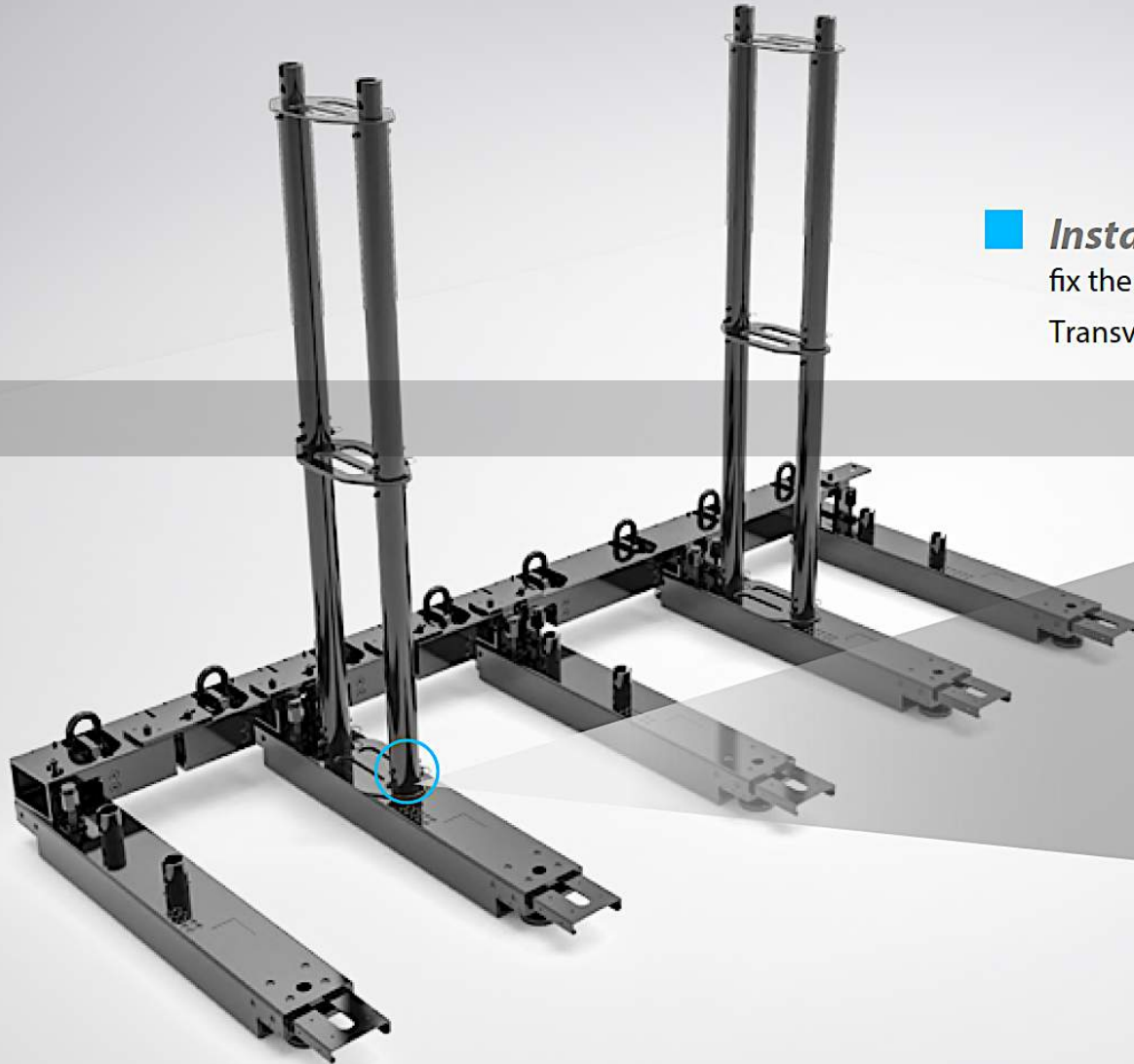
**■ Installation Step Two:** Place the hanging/seating beam in the exact front of the ground beam, and connect them by the fast lock, adjust the level by the screw inside of the ground beam.



Locking the fast lock

Luminescence

The start position Of the hanging beam and ground beam should be in the same level.



- **Installation Step Three:** Install the support frame, fix the latch to ground beam and between frame. Transverse space between Support frame is 1000mm.

Luminescence



Fix the latch

 **Installation Step Four:** Place cabinet from the start position or from the middle to side.

Luminescence



Pedal



 **Installation Step Five:** install the scratching bar between screen to support frame.

LUMINESCENCE



scratching bar



**Installation Step Six:** when Install cabinet to row 2, after the place scratching bar and cross-tie, worker can tread the pedal for further work.

**WARNING: CROSS-TIE AND LONGITUDINAL TIE IS FORBIDDEN TO TREAD.**



Install cross-tie

■ **Installation Step Seven:** When the screen is over 5 lines, extra one ground beam is needed.



Take out the screw inside of the ground beam, fasten it with the 2nd beam.

- **Installation Step Eight:**  
Install the support frame, cross-tie and longitudinal tie on the 2nd ground beam.

Luminescence



longitudinal tie



# Luminescence

Led design technologies



107, rue de Javel  
75015 Paris

Contact: Alexandre Verselle  
Tél: +33 1 81 69 37 47

@: [alexandre@luminescence-led.com](mailto:alexandre@luminescence-led.com)  
Web: [www.luminescence-led.com](http://www.luminescence-led.com)